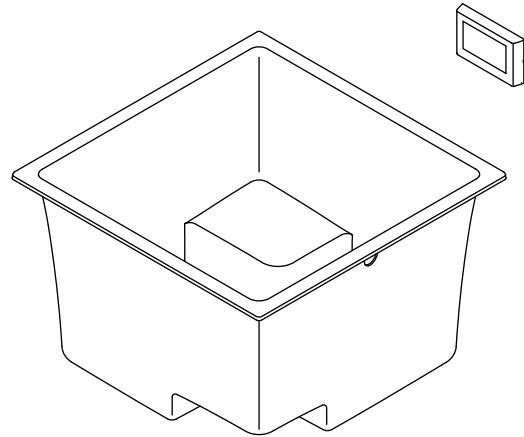


### Features

- Acrylic
- Intuitive high-clarity color touch-screen user interface
- 6 transducers and control amplifier create 3-D surround sound experience
- Under-mount/drop-in style installation
- 27-1/2" (699 mm) soaking depth
- Two raised corner seats, at 6-3/4" (171 mm) and 11-7/8" (302 mm) from bath floor
- Available with chromatherapy [-VBC]
- Chromatherapy model is equipped with 4 lights
- User interface mounting plate is included in color CP
- 48" (1219 mm) x 48" (1219 mm) x 34" (864 mm)

### CUBE VIBRACOUSTIC BATH K-1969-VB ALSO K-1969-VBC



### Codes/Standards Applicable

Specified model meets or exceeds the following:

- CSA B45.5/IAPMO Z124
- UL 1795
- CAN/CSA C22.2 No. 218.2

### Colors/Finishes

- 0: White
- CP: Polished Chrome
- BN: Brushed Nickel
- NA: None applicable
- Other: Refer to Price Book for additional colors/finishes

### Specified Model

Model	Description	Colors/Finishes	
K-1969-VB	Cube VibrAcoustic bath	<input type="checkbox"/> 0	<input type="checkbox"/> Other_____
K-1969-VBC	Cube VibrAcoustic bath with chromatherapy	<input type="checkbox"/> 0	<input type="checkbox"/> Other_____

Recommended accessories			
K-8150	Cable drain	<input type="checkbox"/> NA	
K-8134	Cable drain trim kit		<input type="checkbox"/> CP <input type="checkbox"/> Other_____

Optional Accessories			
K-578	Under-mount kit		<input type="checkbox"/> NA
1172315	VibrAcoustic interface mounting plate		<input type="checkbox"/> BN

### Product Specification

The acrylic cube vibracoustic bath shall be 48" (1219 mm) in length, 48" (1219 mm) in width, and 34" (864 mm) in height. Bath shall feature intuitive high-clarity color touch-screen user interface and 6 transducers and control amplifier, which create 3-D surround sound experience. Bath shall be available with chromatherapy [-VBC], which is equipped with 4 lights. Bath shall be available with under-mount or drop-in style installation. Bath shall have a 27-1/2" (699 mm) soaking depth. Bath shall have two raised corner seats, at 6-3/4" (171 mm) and 11-7/8" (302 mm) from bath floor. The user interface mounting plate shall be included in color CP. Bath shall be Kohler Model K-1969-\_\_\_\_-\_\_\_\_.

# UNDERSCORE®

## Technical Information

Fixture*:	
Bathing well:	
Basin area, bottom	39-3/8" (1000 mm) x 39-3/8" (1000 mm)
Basin area, top	44-5/8" (1134 mm) x 44-5/8" (1134 mm)
Weight	115 lbs (52.2 kg)
To overflow:	
Water depth	27-1/2" (699 mm)
Capacity	171 gal (647.3 L)
* Approximate measurements for comparison only.	
Drop-in cut-out	47" (1194 mm) x 47" (1194 mm)
Amplifier/control:	Power per channel (rms) W    V    Hz
	15                                    120    50/60

## Required Electrical Service

Dedicated circuit required, protected with Class A Ground-Fault Circuit-Interrupter (GFCI) or Residual Current Device (RCD):

Amplifier/control: 120 V, 15 A, 50/60 Hz

## Installation Notes

Install this product according to the installation guide.

The bath is intended for under-mount/drop-in installation.

Control amplifier fits 16" (406 mm) center studs.

A grounded outlet within the wall framing must be within 24" (610 mm) of the planned control amplifier.

Cables are included, 25' (7.6 m) each.

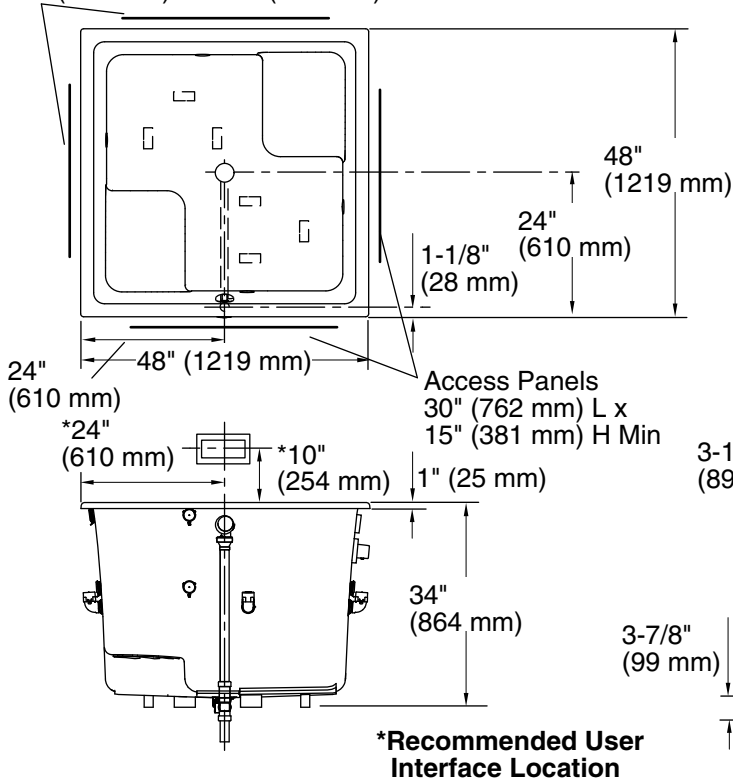
Four access panels are required for servicing the bath.

Floor support under bath must provide for a minimum of 97.9 lbs/square foot (478.2 kg/square meter) loading.

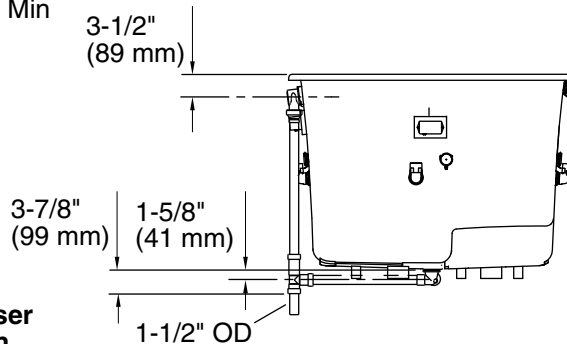
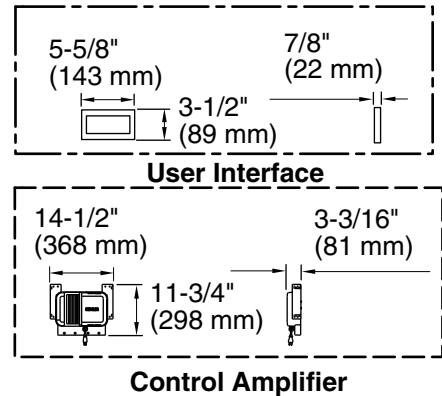
Hot water supply should be 70% of capacity or greater. Installations will vary.

### Access Panels

30" (762 mm) L x 15" (381 mm) H Min



No change in measurements if connected with drain illustrated. (K-8150)



## Product Diagram